



Installation Instructions

For Part Numbers :

300-128 720-128 Airaid Oiled Media Filter

302-128 722-128 SynthaMax Dry Media Filter - Black

2003-04 Dodge Ram 2500/3500

5.9L I6 Cummins Diesel

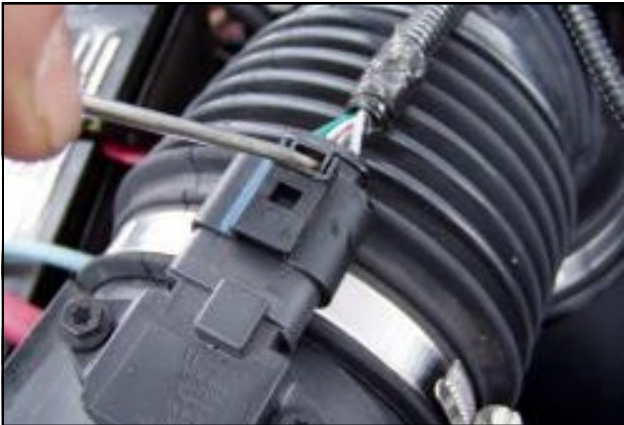
Note: Use P/N 300-155 For 2004-07 Vehicles with optional "quiet hood pad"

Component Identification

1.	Airaid Premium Filter	1
2.	Front Air Dam Panel	1
3.	Rear MAF Air Dam Panel	1
4.	Black Plastic Filter Adapter	1
5.	Weather Strip 27"	1
6.	#8 Flat Washer	2
7.	1/4-20 x 5/8" Hex Bolt	3
8.	1/4" Flat Washer	3
9.	6-32 Phillips Screw	4
10.	6-32 Nut	4
11.	#6 Washer	4
12.	8-32 Button Head Screw	2
13.	Airaid Decal	1



Full color instructions can be viewed on our web site at Airaid.com.



1. Disconnect The Negative Battery Terminal!
Disconnect the electrical connector. Using the T-20 bit, loosen the two star head bolts and remove the electrical sensor. (Retain sensor for installation of Airaid Intake System)



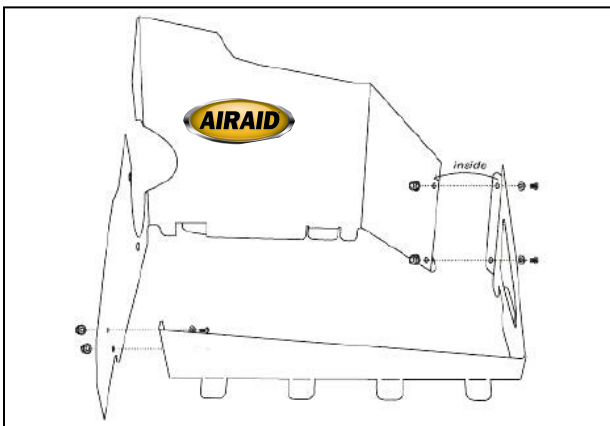
2. Remove the factory filter minder with grommet and retain for use with the Airaid Intake System.



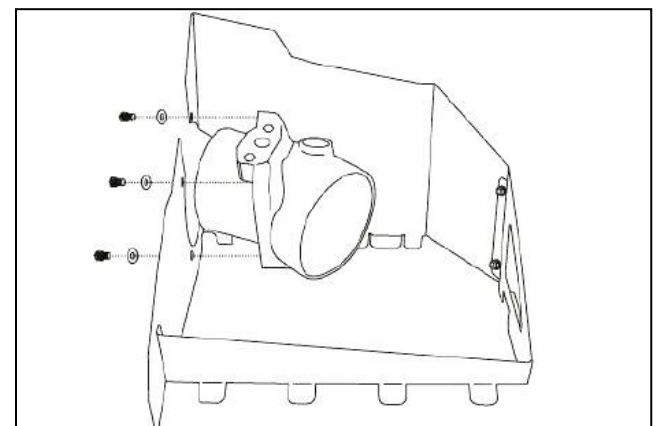
3. Parts to retain for installation of Airaid Intake System.



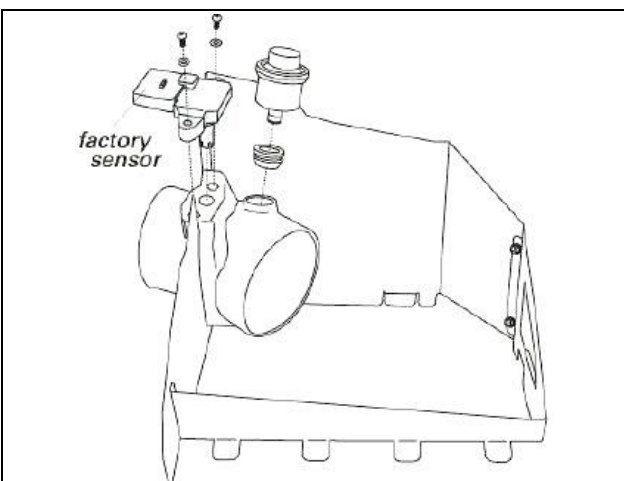
4. Loosen the clamp connecting the factory air box lid to the factory air intake tube and unclip the factory air box lid and remove entire filter/intake assembly from vehicle. (Note: leave the lower factory air box lid in place)



5. Assemble Airaid Quick Fit cool air dam panels using the (4) 6/32 bolts, washers and nuts provided. Apply the Airaid Foil Decal onto the Panel as



6. Assemble the air filter adapter to the cool air dam using the (3) 1/4-20 bolts and washers provided.



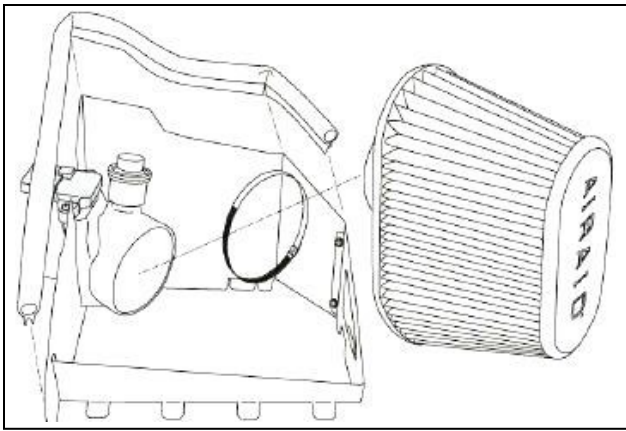
7. Fasten the factory sensor on top of the Airaid adapter using the (2) 8/32 screws and washers & a 3/32 Allen Wrench to tighten. In addition, mount the factory rubber grommet and filter minder onto the Airaid plastic adapter.



8. Install Airaid intake assembly in place of the factory air box lid & tighten factory hose clamp on intake tube to Airaid system.



9. Re-connect the wire harness to the sensor on top of the adapter.



10. Mount Airaid Premium Filter to the filter adapter and tighten hose clamp. Next, press the weather strip onto the top of the Cool Air Dam (Hint: start at a corner and work toward the edges).

11. Double check your work to be certain that all nuts, bolts, and clamps are securely fastened.

12. Reconnect the negative battery cable.

Airaid Modular Intake Tube P/N 300-928 is also available for this application to replace the factory silencer tube. Please contact your local dealer for details.



Thank you for purchasing the Airaid Intake System. Contact Airaid @ (800) 498-6951 8:00 AM - 5:00 PM MST weekdays for questions regarding fit or instructions that are not clear to you. Your Airaid Intake System was carefully inspected and packaged. Check that no parts are missing, or were damaged during shipping. If any parts are missing, contact Airaid. The air filter element is protected from direct exposure to water and debris; care should be taken not to drive through deep water. WATER INGESTION IS THE DRIVERS RESPONSIBILITY! The air filter is reusable and should be cleaned periodically.

FILTER IDENTIFICATION

720-128 Airaid Oiled Media
722-128 Airaid SynthaMax Dry Media - Black

For your Oiled media filter we suggest using the AIRAID Filter Tune-Up Kit!

SynthaMax[®]

Do Not Oil



P/N 790-551 Aerosol Spray
P/N 790-550 Squeeze Spray



Synthamax Air Filters do not require oil. Service air filter as needed by cleaning with common non-petroleum all-purpose household cleaner and water. Simple Green[®], Formula 409[®] or equivalent works great. Apply cleaner to outside of air filter and allow to soak. Then flush filter clean from the inside out with a garden hose and repeat steps if necessary. Do not apply high pressure water or air to clean filter. Allow filter to air dry and reinstall.